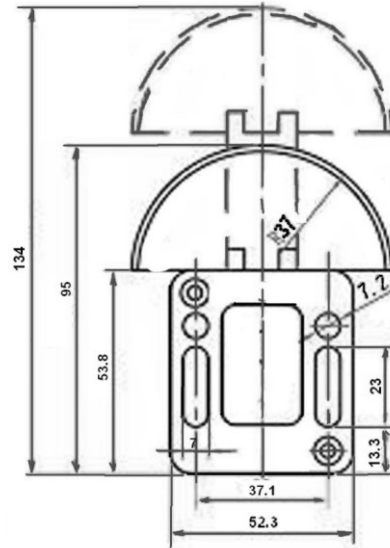


Spring Box Chain Tensioners

Finer Power Transmissions stocks a range of light load spring box tensioners.

Light Load Type			
	PITCH		
	3/8"	1/2"	5/8"
PART	L-06-1	L-08-1	L-10-1



Arch profiles made of UHMW, PE

Max load (25C) 130N